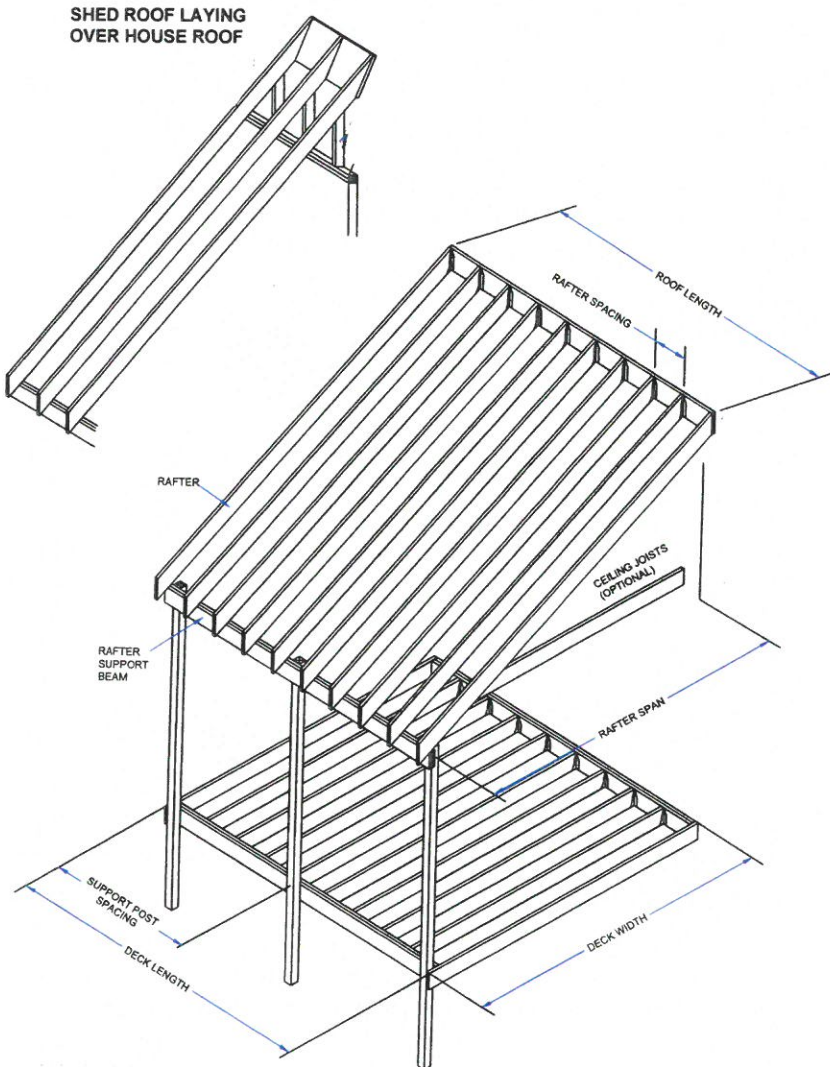


PORCH ROOF SPECIFICATIONS

Check if additional sketches are on the back of this sheet.



SIZE	RAFTER SPACING (o.c.)	MAXIMUM
		RAFTER SPANS
2X4	12"	10'-4"
	16"	9'-0"
	24"	7'-4"
2X6	12"	15'-7"
	16"	13'-6"
	24"	11'-0"
2X8	12"	19'-8"
	16"	17'-1"
	24"	13'-11"
2X10	12"	23'-5"
	16"	20'-3"
	24"	16'-6"
2X12	12"	>26'-0"
	16"	23'-10"
	24"	19'-6"

PORCH (ROOF) SPECIFICATIONS

PORCH ROOF SIZE BEING BUILT

ROOF LENGTH _____ FT

ROOF SPAN _____ FT

ROOF SLOPE _____ : _____ (example 4:12)

ROOF SUPPORT POSTS

POST SIZE _____ X _____

POST SPACING _____ FT
(IF THEY ARE NOT ALIGNED WITH FOOTINGS)

RAFTER SUPPORT BEAM

SIZE (_____) _____ X _____

RAFTERS

SIZE 2 x _____ @ _____ IN O.C.

FOOTINGS

FOOTING SIZE _____ x _____ x _____ IN

FOOTING DEPTH 18 IN

NUMBER OF FOOTINGS _____ TOTAL

Governing with Vision

to be the most collaborative, professional, value-driven locality in Virginia

www.campbellcountyva.gov